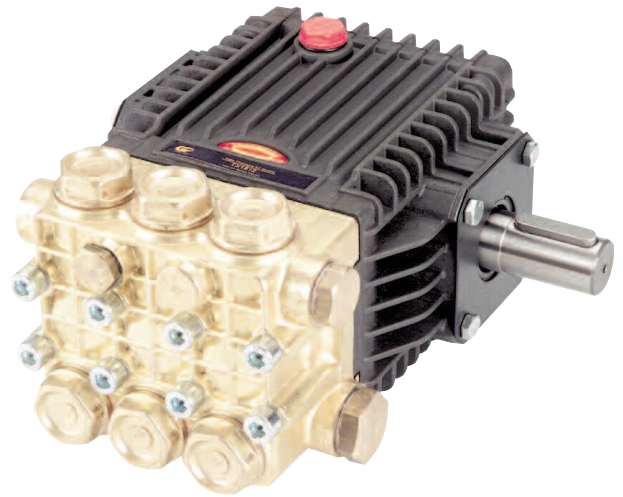


FEATURES

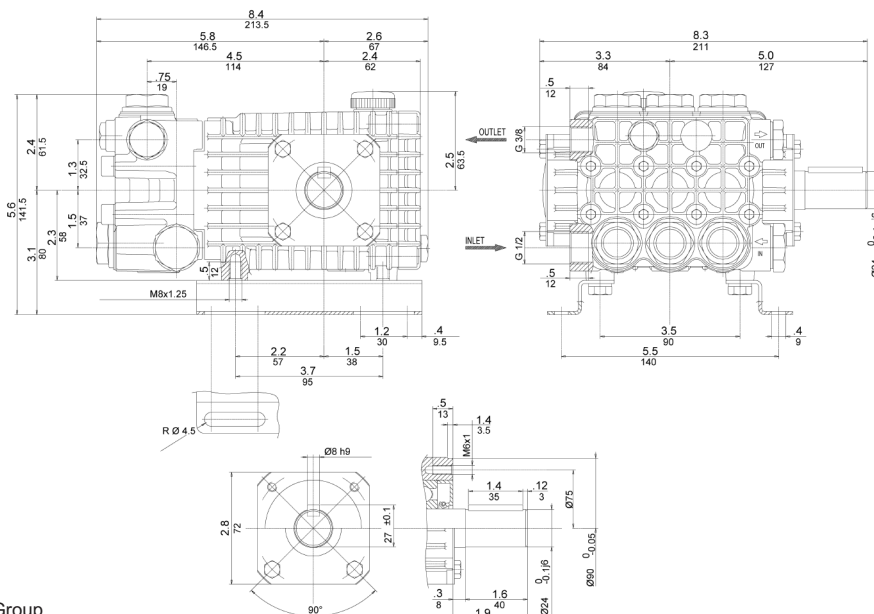
- Flex coupling and bell housing available for direct drive
- Oversized, premium bearings for long life
- New generation seal system for longer life
- Forged brass manifold with an exclusive lifetime warranty*



SPECIFICATIONS

Pump Model	TX1513S17	TX1813S17
Maximum Volume	3.0 GPM	3.0 / 4.1 GPM
Maximum Discharge Pressure	3000 PSI	2500 PSI
Horsepower	6.2 EBHP	5.1 / 7.20 EBHP
Maximum Pump Speed	1750 RPM	1275 / 1750 RPM
Maximum Inlet Pressure	125 PSI	
Minimum Inlet Pressure	3 Ft. Water / 2.6 In. Hg.	
Plunger Bore (in / mm)	.591 in. / 15 mm	.709 in. / 18 mm
Plunger Stroke (in / mm)	.512 in. / 13 mm	
Oil Capacity	14.0 oz.	
Maximum Fluid Temperature	165°F	
Inlet Port Thread	1/2 - 14 BSPP-F	
Discharge Port Thread	3/8 - 19 BSPP-F	
Shaft Diameter	.945 in. / 24 mm	
Weight	19 lbs.	
Dimensions	8.4 in. x 8.3 in. x 4.8 in.	

DIMENSIONAL DRAWING

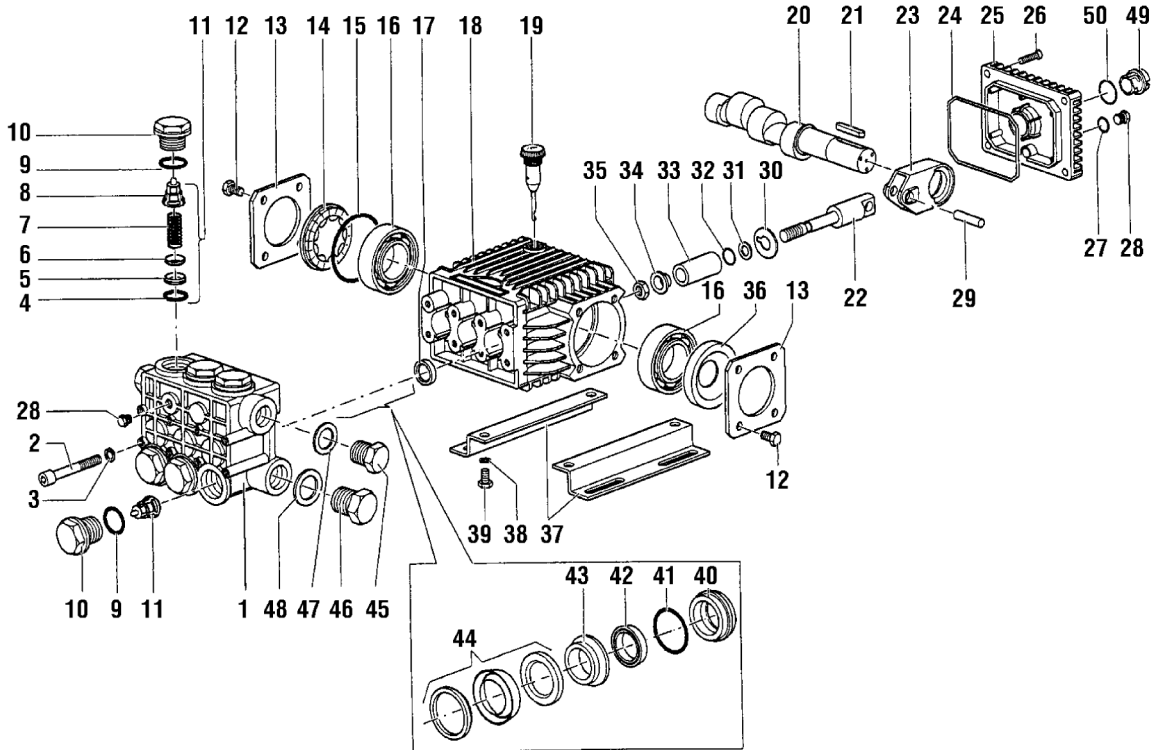


TRIPLEX

TRIPLEX

TX Series "63"

GENERAL PUMP *A member of the Interpump Group*



PARTS LIST

ITEM	PART NO.	DESCRIPTION	KIT NO.	QTY.	ITEM	PART NO.	DESCRIPTION	KIT NO.	QTY.	ITEM	PART NO.	DESCRIPTION	KIT NO.	QTY.
1.	63120041	Manifold, 15 mm		1	20.	63021865	Crankshaft, 13 mm		1	36.	90164100	Oil Seal		1
	63120341	Manifold, 18 mm		1	21.	91489200	Key		1	37.	50200074	Rail		2
2.	99319200	Screw, M8 x 65		8	22.	63050066	Plunger Guide		3	38.	96701600	Lockwasher, M8		4
3.	96701400	Lockwasher, M8.4		8	23.	63030022	Connecting Rod		3	39.	99303700	Screw, M8 x 16		4
4.	90384100	O-ring	123	6	24.	90392000	O-ring, Cover		1	40.	63080070	Seal Retn'r, 15mm	162,166	3
5.	36200366	Valve Seat	123	6	25.	63160022	Rear Crankcase Cover		1		63080170	Seal Retn'r, 18mm	163,167	3
6.	36200176	Valve Plate	123	6	26.	99183700	Screw, M6 x 14		4	41.	90360800	O-ring	166,167	3
7.	94737600	Spring	123	6	27.	701013	O-ring		1	42.	90260800	Seal, LP,15mm	160,166	3
8.	36202551	Valve Cage	123	6	28.	98204100	Plug, 1/4" G		2		90265000	Seal, LP,18mm	161,167	3
9.	90384700	O-ring	124	6	29.	97733500	Connecting Rod Pin		3	43.	63216070	Int. Ring,15mm	164,166	3
10.	98222600	Valve Cap	124	6	30.	96707500	Flinger Washer		3		63216170	Int. Ring,18mm	165,167	3
11.	36711501	Valve Assembly	123	6	31.	660024	Anti-extrusion Ring		3	44.	90261200	Packing Assy,15mm	160,166	3
12.	99180700	Screw, M6 x 10		8	32.	701009	O-ring		3		90265400	Packing Assy,18mm	161,167	3
13.	50150074	Bearing Cover		2	33.	52040009	Ceramic Plunger, 15mm		3	45.	98210000	Plug, 3/8" G		1
14.	44211801	Oil Level Indicator		1		44040109	Ceramic Plunger, 18mm		3	46.	98217600	Plug, 1/2" G		1
15.	90409700	O-ring		1	34.	44211570	Bushing		3	47.	96738000	Washer, M17.5		1
16.	91833100	Ball Bearing, Premium		2	35.	92221500	Nut, M8		3	48.	96751400	Washer, M21.5		1
17.	90159500	Oil Seal	159	3						49.	63210051	Oil Level Indicator		1
18.	63010022	Crankcase		1						50.	90405100	O-ring		1
19.	98210300	Oil Dip Stick		1										

REPAIR KITS

KIT NO.	K123	K124	K159	K160 or K161 (15mm) (18mm)	K162 or K163 (15mm) (18mm)	K164 or K165 (15mm) (18mm)	K166 or K167 (15mm) (18mm)
ITEM NO's INCLUDED IN KIT	4, 5, 6, 7, 8 (11)	9, 10	17	42, 44	40	43	40, 41, 42, 43, 44
NUMBER OF ASSEMBLIES IN KIT	6	6	3	3	3	3	1
NUMBER OF CYLINDERS KIT WILL SERVICE	3	3	3	3	3	3	1

TORQUE SPECS*

Pos.	Ft/lb	Nm
2	14.7	20
10	95.9	130
12	7.3	10
26	7.3	10
28	14.7	20
35	11.0	15
39	14.7	20
45	29.4	40
46	29.4	40

* Decrease torque by 20% if threads are lubricated